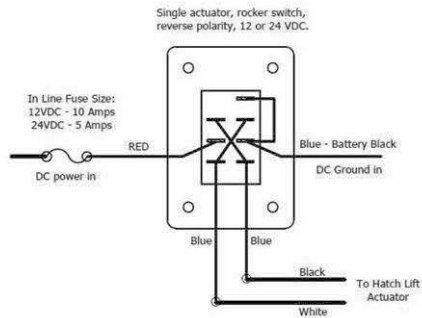
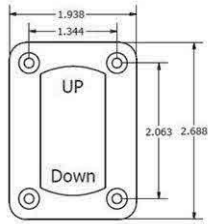


Single actuator, rocker switch, reverse polarity, 12 or 24 VDC.
 Ratings: Spray proof
 12VDC - 10 amps
 24VDC - 5 amps
 Screws included: (4)
 #6, (M3.5) x 1¹/₈" (24mm)
 Flat head



SF-HL
 Single rocker switch with bezel.
 Switch will reverse polarity to drive the actuator to deploy and retract.
 Comes complete with mounting screws and bezel for mounting.

Wiring for the SF-HL, we recommend installing an in-line fuse, on the DC positive input. The actuator, white and black wires will connect as shown. When testing, if the lift operates opposite of the switch labels, swap the connections. The fuse size, is for single lift per switch.

DRAWN	12/6/2023	LECTROTAB	Linear Devices Corp.	
RUSS			11126 Air Park Rd. Suite G	
CHECKED			Ashland, VA. 23005	
			(804)368-8428	
QA		TITLE		
MFG		SF-HL Single Rocker		
APPROVED		use with H-BK Hatch Lifts		
		SIZE	DWG NO	REV
		B	MD-120823	F
		SCALE	SHEET 4 OF 4	