

# Lenco and Bennett Trim Tab Owners... Can you automatically level your boat?



## Upgrade your trim tab control to automatically level your boat...

- ✓ *Automatically adjusts existing trim tabs to maintain a level boat*
- ✓ *Eliminates the need for a power module box (ALC-1 only)*
- ✓ *Improves fuel efficiency*
- ✓ *Completely sealed and waterproof*

### FEATURES

- Microprocessor based automatic leveling trim tab control with LED tab position indicators
- Controls roll and pitch automatically
- Internal GPS - no GPS antenna or network required
- Automatically adapts to varying sea conditions
- Completely sealed and waterproof (IP68)
- UV protected - will not deteriorate in sunlight
- Prevents automatic corrections while turning
- Designed for planing and semi displacement hulls  $\geq 20$ ft
- Maintains correct attitude when running stepped hulls
- Actuators connect directly to ALC-1 display panel (no external power module box required)
- Automatically dims LED tab position indicators in darkness and brightens in sunlight
- Automatically retracts trim tabs when boat is off plane or using optional key switch connection
- Dual station operation available (ALC-1D and ALC-2D does require external power module)
- Operates on 10 to 30 Volts DC
- 2 Year Warranty
- CE Approved (Compliance with EMC regulations)

### SPECIFICATIONS

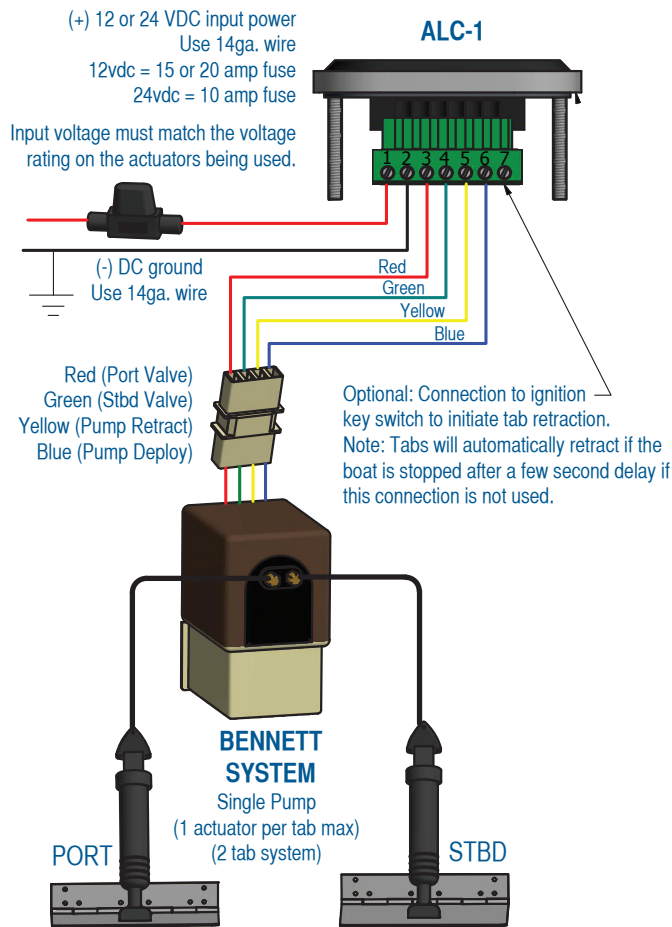
| Model Number | Display Color | Number of Stations  | Actuators per tab plate | Overall Width | Overall Height/ Thickness | Mounting Hole Cutout (Diameter) | DC Voltage | Fuse Size Power Input (1 Actuator per Tab) | Fuse Size Power Input (2 Actuators per Tab) |
|--------------|---------------|---------------------|-------------------------|---------------|---------------------------|---------------------------------|------------|--|---|
| ALC-1        | Black         | 1                   | 1                       | 3.15" / 80mm  | 3.0"(77mm) / 0.437"(11mm) | 2"/50mm                         | 12/24      | 12vdc = 15 amp<br>24vdc = 10 amp           | N/A   |
| ALC-2D       | Black         | 1 or 2              | 2                       | 3.15" / 80mm  | 3.0"(77mm) / 0.437"(11mm) | 2"/50mm                         | 12/24      | N/A  | 12vdc = 30 amp<br>24vdc = 20 amp            |
| ALC-1D       | Black         | 1 or 2              | 1                       | 3.15" / 80mm  | 3.0"(77mm) / 0.437"(11mm) | 2"/50mm                         | 12/24      | 12vdc = 15 amp<br>24vdc = 10 amp           | N/A   |
| ALC-2S       | Black         | 2nd station display | N/A                     | 3.15" / 80mm  | 3.0"(77mm) / 0.437"(11mm) | 2"/50mm                         | 12/24      | N/A  | N/A   |



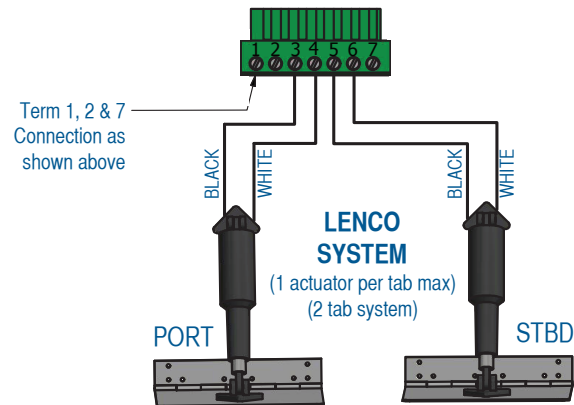
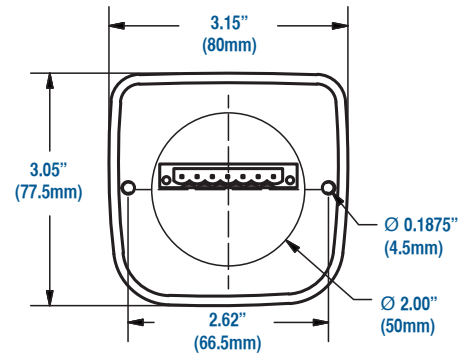
# Automatic Leveling Control



## AUTO LEVELING CONTROL WIRING - Bennett and Lenco Systems



Mounting and wiring terminal hole sizes and location.



## AUTO LEVELING CONTROL (ALC) PROGRAMMING

| Function     | Program Mode Sequence |             |                              |                 |
|--------------|-----------------------|-------------|------------------------------|-----------------|
|              | Enter                 | Button Hold | Adjustment                   | Store Memory    |
| Calibration  | BOW UP + BOW DOWN     | 12s         | Begin calibration            | N/A             |
| Attitude Set | N/A                   | N/A         | Adjust tabs to best attitude | Press AUTO 4s   |
| Gain Adjust  | RIGHT + LEFT          | 4s          | BOW UP + BOW DOWN            | RIGHT + LEFT 4s |

## ADDITIONAL OPERATION FEATURES

- Press AUTO to enter automatic leveling
- Press AUTO mode again to enter manual mode so tabs may be adjusted manually
- The ALC incorporates an "Adaptive system" to maintain optimum running attitude in varying sea conditions
- Reducing speeds below planing speed the ALC will not attempt to control attitude
- The ALC automatically starts correcting attitude during acceleration